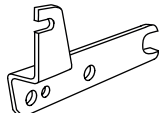
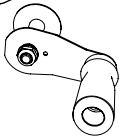
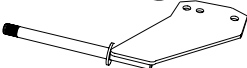



ASSEMBLY INSTRUCTIONS

Ref. no. 0458-395-0211 **REV:2**

COMPONENTS

6600-00-7025

	_____ 1 x _____	03-02788
	_____ 1 x _____	01-00286
	_____ 1 x _____	02-00444
	_____ 1 x _____	999-000-6011

(Only included for electric saws)

01-00609-400V

01-00609-230V

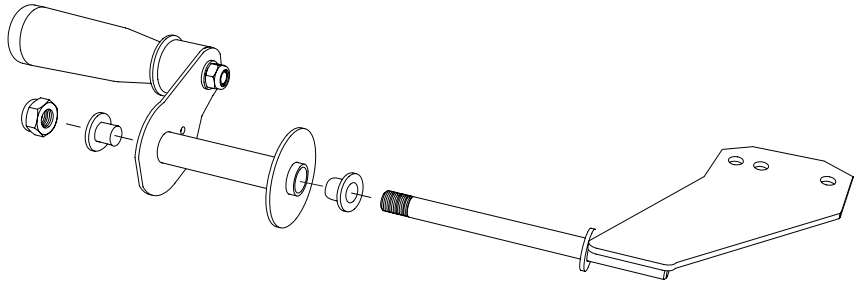
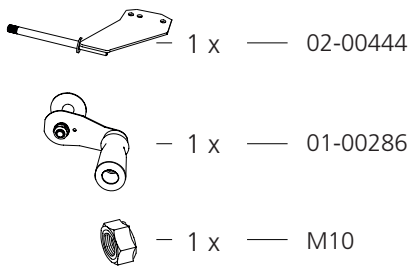
	_____ 1 x _____	03-02887
	_____ 1 x _____	<ul style="list-style-type: none"> 01-00588 (1) 400V 01-00588 (2) 230V

BASIC CRANK FEEDING

FOR SAW UNITS

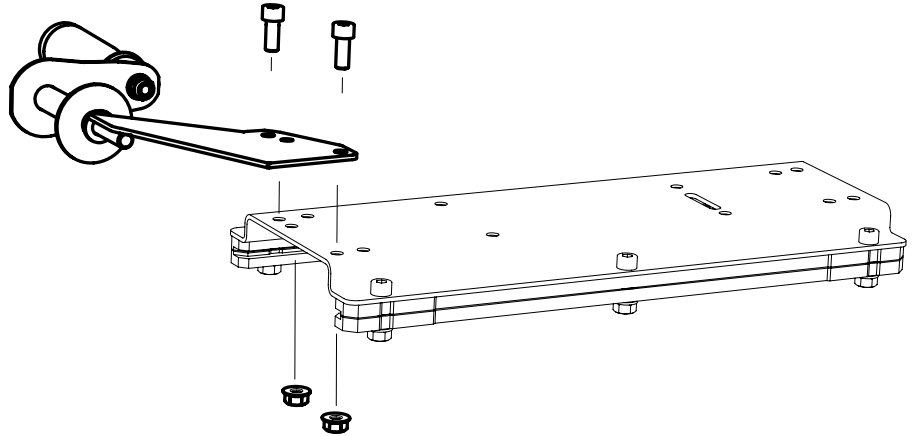
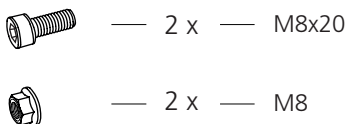
ASSEMBLY: CRANK

1

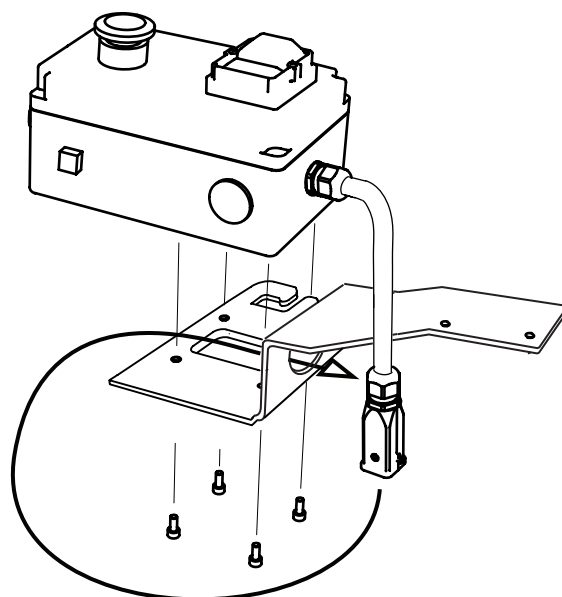
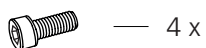
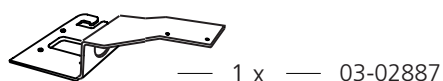


ASSEMBLY: CRANK ON CHAINSAW CARRIAGE

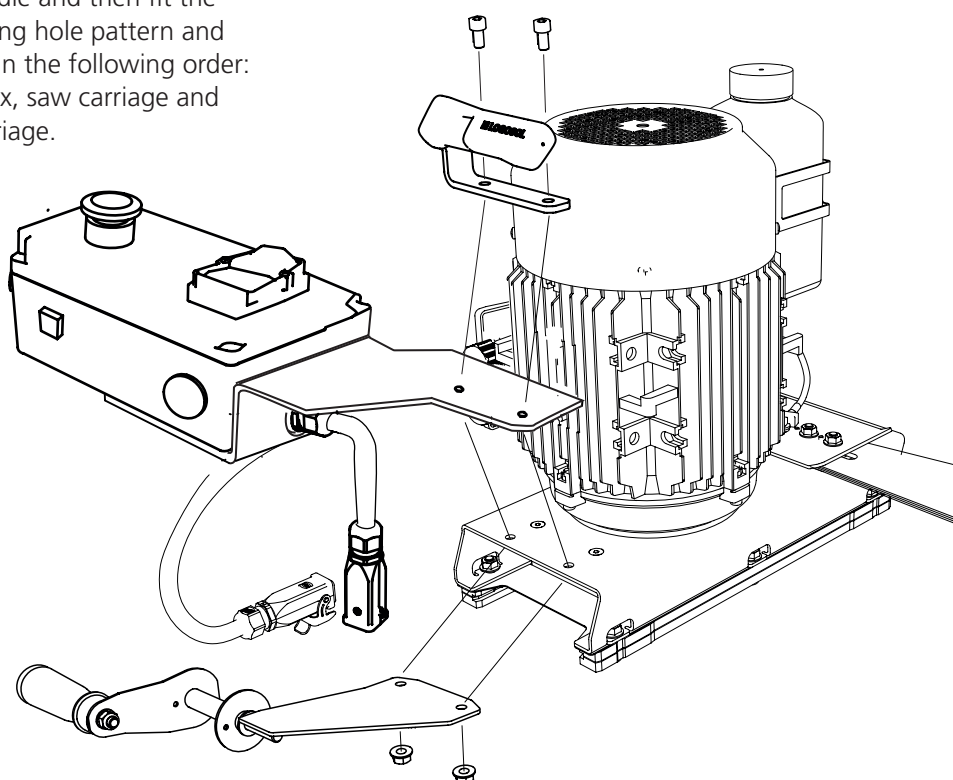
2



ASSEMBLY: CRANK ON ELECTRIC SAW CARRIAGE

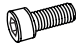



To install the crank handle on the electric saw, you first remove the existing handle and then fit the crank handle using the existing hole pattern and the original bolts. Assemble in the following order: handle, mount+electrical box, saw carriage and the crank under the saw carriage.

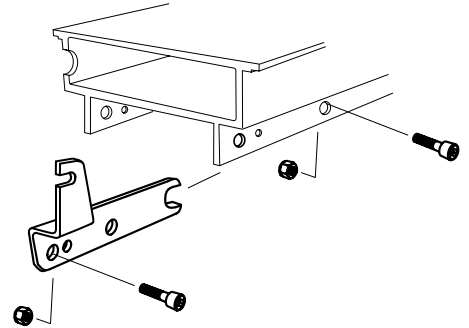


ASSEMBLY: LINE ATTACHMENT

1

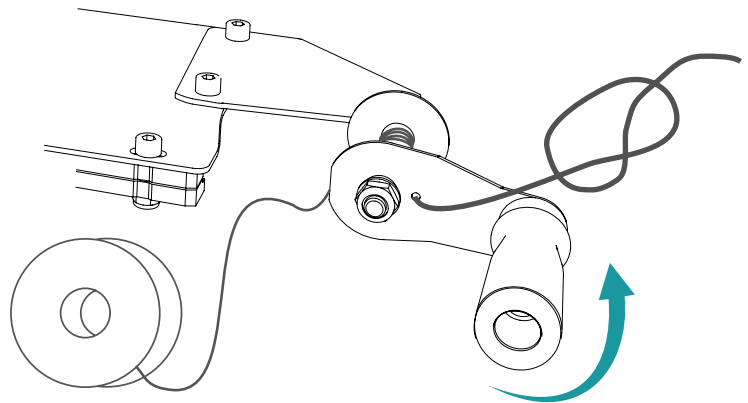
 — 2 x — M8x20

 — 2 x — M8



If the sawmill is equipped with a support leg, the smaller hole has to be used together with an Allen bolt M6X20.

2



3

